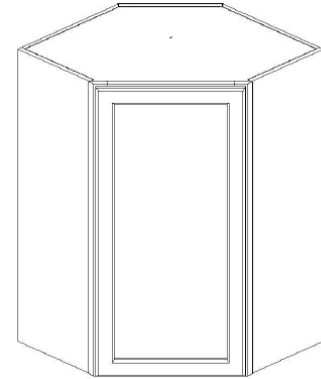


# Assmly Instruction

## Wall Blind Corner



Code	Description	Qty.
A	Front Side Panel (L/R)	2
B	Rear Side Panel (L/R)	2
C	Front Frame	1
D	Back Panel	1
E	Bottom/Top Panel	2
F	Door	1
G	Shelf (Qty. depends on Cabinet height)	2 or 3
H	Plastic Shelf Clips (Qty. depends on Shelf quantity)	8 or 12
I	Hinges (Qty. depends on Cabinet height)	2 or 3

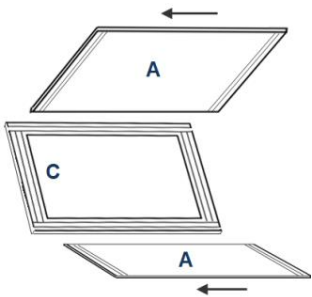
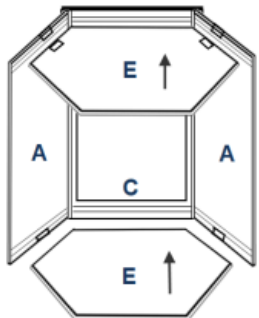


**For Product lines:**  
Ice White Shaker/Cambridge White Raised/ Ashton Gray Shaker/Driftwood Gray Raised/Antique White

### Required Tools:

<p>Nail Gun</p> 	<p>Power Drill</p> 
--	---

### Step-by-Step Instruction:

Step 1		Step 2	
<p>Lay front frame (C) flat, grooves facing upword (on a soft flat working surface to avoid scratching the face)</p> <p>Slide both front side panels (A) to the grooves</p>		<p>Slide bottom/Top panels (E) into grooves of A and C, secure with Metal Clips</p>	
<p><b>Step 3</b></p>		<p><b>Step 4</b></p>	

# Assmly Instruction

## Wall Blind Corner

<p>Install rear side panels (B), connectors align to the top panel and bottom panel (E), and front side panels (A)</p> <p>Secure with Nail Gun to connect font panels (A) and rear panels (B)</p>		<p>Install back panels (D), connectors align to the top panel and bottom panel (E), and back side panels (B)</p> <p>Secure with Nail Gun and secure with screws at the upper and botom back panel</p>	
<p><b>Step 5</b></p>		<p><b>Step 6</b></p>	
<p>Insert plastic shelf clips (H) onto pre-drilled holes on side panels (A) and (B)</p>		<p>Slide in three shelves (G) one by one and make sure the finished front edge facing out</p> <p>Tips: 2 or 3 shelf board input in the cabinet, then one by one to clip on shelf holders</p>	
<p><b>Step 7</b></p>			
<p>Attache Hinges (I) on the face frame (C), install door (F) onto hinges</p>			