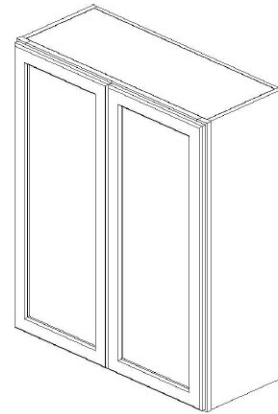


Assmly Instruction

Wall Cabinet – Double Door



Code	Description	Qty.
A	Side Panel (L/R)	2
B	Front Frame	1
C	Back Panel	1
D	Bottom/Top Panel	2
E	Door	2
F	Shelf (Qty. depends on Cabinet height)	1 or 2 or 3
G	Plastic Shelf Clips (Qty. depends on Shelf quantity)	4 or 8 or 12
H	Hinges	4



For Product lines:
Ice White Shaker/Cambridge White Raised/ Ashton Gray Shaker/Driftwood Gray Raised/Antique White

Required Tools:

Nail Gun



Power Drill



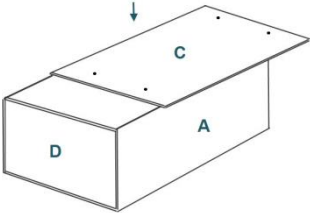
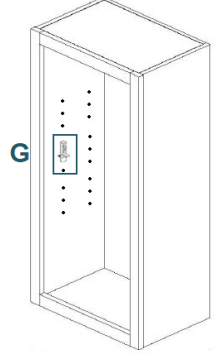
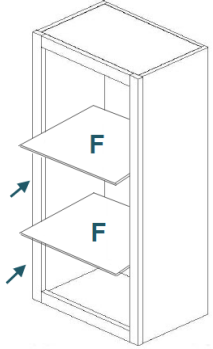
Step-by-Step Instruction:

Step 1		Step 2	
<p>Lay front frame (B) flat, grooves facing upword (on a soft flat working surface to avoid scratching the face)</p> <p>Slide both side panels (A) to the grooves</p>		<p>Slide bottom/Top panels (D) into grooves of A and B</p>	

Assmby Instruction

Wall Cabinet – Double Door



Step 3		Step 4	
<p>Slide back panel (C) into grooves of A and D and secure with Nail Gun <i>(use metal clip if no nail gun)</i></p> <p>Secure with screws on upper and bottom of back panel</p>		<p>Insert Plastic shelf clips (G) onto pre-drilled holds on Side panels A</p>	
Step 5		Step 6	
<p>Side in shelf (F) and make sure the finished front edge facing out</p>		<p>Attach Hinge (H) on the face frame, install door (E) onto hinge on both side</p>	