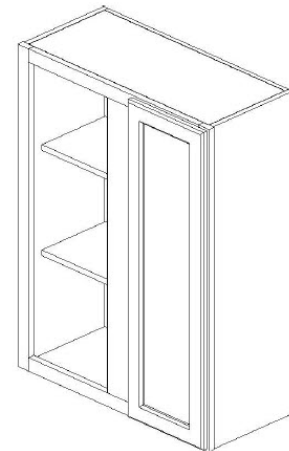


Assmby Instruction

Wall Blind Corner



Code	Description	Qty.
A	Side Panel (L/R)	2
B	Front Frame	1
C	Back Panel	1
D	Bottom/Top Panel	2
E	Door	1
F	Shelf	2 or 3
	(Qty. depends on Cabinet height)	
G	Plastic Shelf Clips	8 or 12
	(Qty. depends on Shelf quantity)	
H	Hinges	2

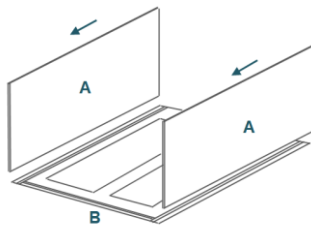
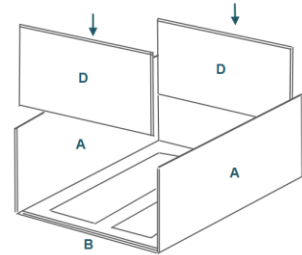


For Product lines:
Ice White Shaker/Cambridge White Raised/ Ashton Gray Shaker/Driftwood Gray Raised/Antique White

Required Tools:

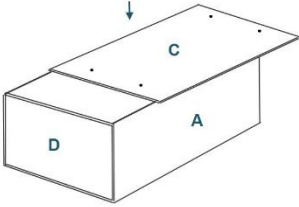
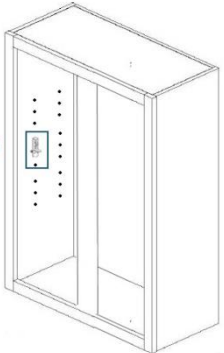
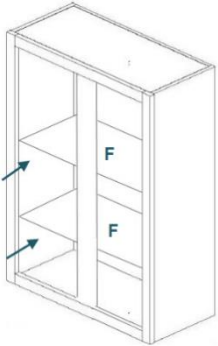
<p>Nail Gun</p> 	<p>Power Drill</p> 
--	---

Step-by-Step Instruction:

Step 1		Step 2	
<p>Lay front frame (B) flat, grooves facing upword (on a soft flat working surface to avoid scratching the face)</p> <p>Slide both side panels (A) to the grooves</p>		<p>Slide bottom/Top panels (D) into grooves of A and B</p>	

Assmly Instruction

Wall Blind Corner

Step 3		Step 4	
<p>Slide back panel (C) into grooves of A and D and secure with Nail Gun (use metal clip if no nail gun)</p> <p>Secure with screws on back panel</p>		<p>Insert Plastic shelf clips (G) onto pre-drilled holds on Side panels A</p>	
<p>Slide in shelf (F) and make sure the finished front edge facing out</p>		<p>Attach Hinge (H) on the face frame, install door (E) onto hinge on both side</p> <p><i>*Door can be installed on left or right, depending on the blind side, install accordingly*</i></p>	