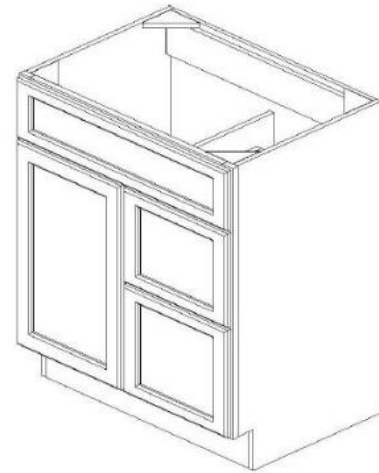


# Assmby Instruction

Vanity – Double Drawer & Single Door



Code	Description	Qty.
A	Side Panel (L/R)	2
B	Front Frame	1
C	Back Panel	1
D	Bottom Panel	1
E	Toe Kick	1
F	Drawer Box (Side/bottom panels)	2 sets
G	Drawer Face	2
H	False Drawer Face	1
I	Door	1
J	Sliders & Adapter	4 pairs
K	Plastic Slider holder	4
L	Hinges	2
M	Support Bracket (wooden)	4

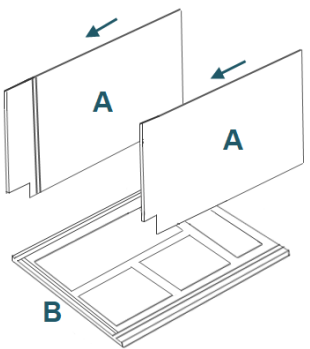
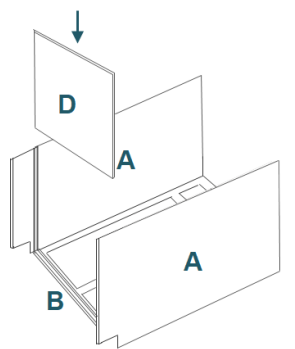


**For Product lines:**  
Ice White Shaker/Cambridge White Raised/ Ashton Gray Shaker/Driftwood Gray Raised/Antique White

## Required Tools:

<p>Nail Gun</p> 	<p>Rubber Hammer</p> 	<p>Power Drill</p> 
---	--	--

## Step-by-Step Instruction:

Step 1		Step 2	
<p>Lay front frame (B) flat, grooves facing upword (on a soft flat working surface to avoid scratching the face)</p> <p>Slide side panel (A) to the grooves</p>		<p>Slide bottom panel (D) into grooves of A and B</p>	

# Assmly Instruction

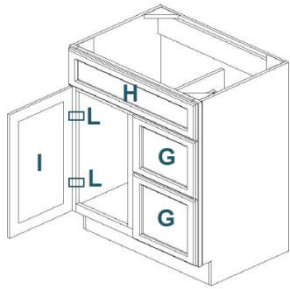
Vanity – Double Drawer & Single Door



<p><b>Step 3</b></p> <p>Slide back panel (C) into grooves of A and D and secure with Nail Gun (<i>use metal clip if no nail gun</i>)</p> <p>Secure with screws from the bottom of back panel (C)</p>		<p><b>Step 4</b></p> <p>Attach E onto A and secure with Nail Gun</p>	
<p><b>Step 5</b></p> <p>Screw both rear slider holder brackets (K) into pre-drill holes in C, angle facing upward</p> <p>Install sliders (J) into J and screw into the side of front frame (B)</p>		<p><b>Step 6</b></p> <p>Assemble both drawer boxes by using Rubber Hammer</p> <p><i>*Use wood glue for a permanent bond*</i></p>	
<p><b>Step 7</b></p> <p>Attach plastic adapter underneath the drawers</p> <p>There will be a letter indicating L or R side</p>		<p><b>Step 8</b></p> <p>Position Drawer boxes F over drawer sliders J</p>	

# Assmby Instruction

Vanity – Double Drawer & Single Door

Step 9		Step 10	
<p>Attached False Drawer face (H) onto the face frame</p> <p>Attach both Drawer faces (G) onto drawer front</p> <p>Attach Hinge (L) on the face frame, install door (I) onto hinge</p>		<p>Place Wooden support brackets (M) into corners of A, B, C</p>	