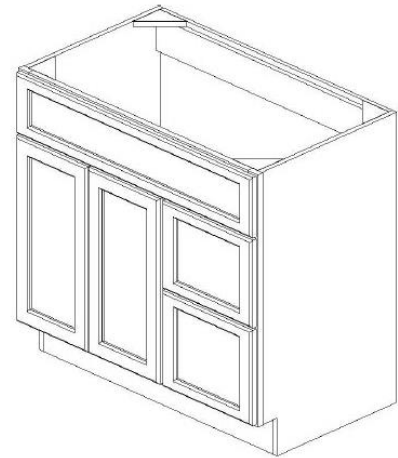


Assmby Instruction

Vanity – Double Drawer & Door



Code	Description	Qty.
A	Side Panel (L/R)	2
B	Front Frame	1
C	Back Panel	1
D	Bottom Panel	1
E	Toe Kick	1
F	Drawer Box (Side/bottom panels)	2 sets
G	Drawer Face	2
H	False Drawer Face	1
I	Door	2
J	Sliders & Adapter	4 pairs
K	Plastic Slider holder	4
L	Hinges	4
M	Support Bracket	4

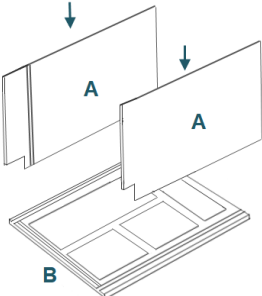
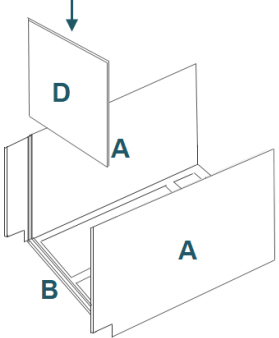


For Product lines:
 Modern Gray/Frenso Gray Shaker/Anahiem Gray/Beech Espresso/Cinnamon Shaker

Required Tools:

<p>Power Drill</p> 	<p>Rubber Hammer</p> 	<p>EASY ASSEMBLY METAL CLIP SYSTEM</p>  <ul style="list-style-type: none"> ➤ Align Clips ① and ② ➤ Slide ① into ② ➤ Insert locking screw into clip pair ➤ Tighten all screws
--	--	--

Step-by-Step Instruction:

Step 1		Step 2	
<p>Lay back panel (C) flat, grooves facing upward</p> <p>Insert Side panels (A) on (C) and secure with metal clips (Refer to Metal clip system above)</p>		<p>Slide bottom panel (D) into grooves of A and B</p>	

Assmby Instruction

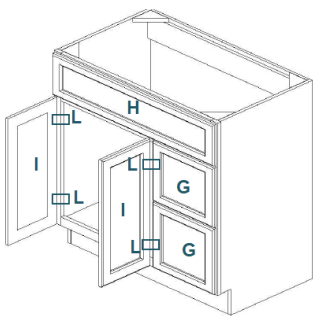
Vanity – Double Drawer & Door



<p>Step 3</p> <p>Insert back panel (C) onto A and D and secure with metal clips (Referal to metal clip system above)</p> <p>Secure with screws from the bottom of back panel (C)</p>		<p>Step 4</p> <p>Attach Toe kick (F) onto bottom front of (A) (Referal to metal clip system above)</p>	
<p>Step 5</p> <p>Screw both rear slider holder brackets (K) into pre-drill holes in C, angle facing upward</p> <p>Install sliders (J) into J and screw into the side of front frame (B)</p>		<p>Step 6</p> <p>Assemble both drawer boxes by using Rubber Hammer</p> <p><i>*Use wood glue for a permanent bond*</i></p>	
<p>Step 7</p> <p>Attach plastic adapter underneath the drawers</p> <p>There will be a letter indicating L or R side</p>		<p>Step 8</p> <p>Position Drawer boxes F over drawer sliders J</p>	

Assmby Instruction

Vanity – Double Drawer & Door

Step 9		Step 10	
<p>Attached False Drawer face (H) onto the face frame</p> <p>Attach both Drawer faces (G) onto drawer front</p> <p>Attach Hinge (L) on the face frame, install door (I) onto hinge</p>		<p>Place support brackets (M) into corners of A, B, C</p>	