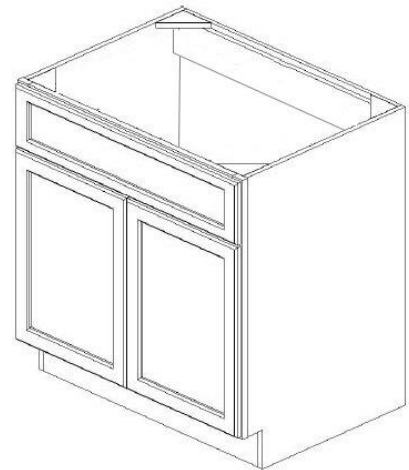


Assmby Instruction

Sink Base – Single False Drawer Front



Code	Description	Qty.
A	Side Panel (L/R)	2
B	Face Frame	1
C	Back Panel	1
D	Bottom Panel	1
E	Toe Kick	1
F	False Drawer Face	1
G	Door	2
H	Hinges	4
I	Support Bracket	4



For Product lines:
 Modern Gray/Frenso Gray Shaker/Anaheim Gray/Beech Espresso/Cinnamon Shaker

Required Tools:

Power Drill



EASY ASSEMBLY METAL CLIP SYSTEM

- Align Clips ① and ②
- Slide ① into ②
- Insert locking screw into clip pair
- Tighten all screws

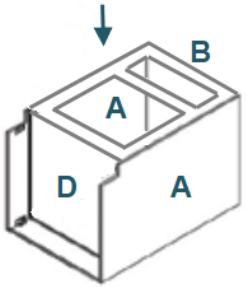
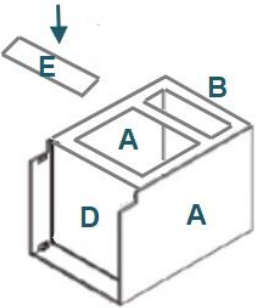
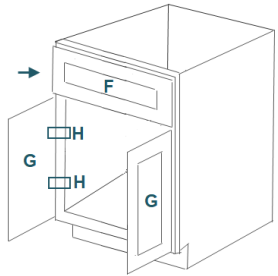
Step-by-Step Instruction:

Step 1		Step 2	
<p>Lay back panel (C) flat, grooves facing upward</p> <p>Insert Side panels (A) on (C) and secure with metal clips (Refer to Metal clip system above)</p>		<p>Slide bottom panel (D) into grooves of (A) and (C)</p>	

Assmly Instruction

Sink Base – Single False Drawer Front



Step 3	Step 4	Step 5	Step 6
<p>Attach Front frame (B) onto (A) (Referal to metal clip system above)</p>		<p>Attach Toe kick (E) onto bottom front of (A) (Referal to metal clip system above)</p>	
<p>Attach Drawer face (F) onto drawer front Attach Hinge (H) on the face frame, install door (G) onto hinge</p>		<p>Place support brackets (I) into corners of A, B, C</p>	