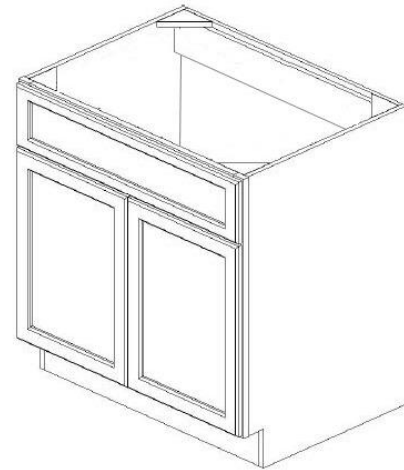


# Assmby Instruction

## Sink Base – Single False Drawer Front



Code	Description	Qty.
A	Side Panel (L/R)	2
B	Face Frame	1
C	Back Panel	1
D	Bottom Panel	1
E	Toe Kick	1
F	False Drawer Face	1
G	Door	2
H	Hinges	4
I	Support Bracket (wooden)	4

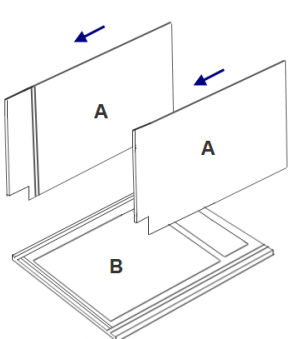
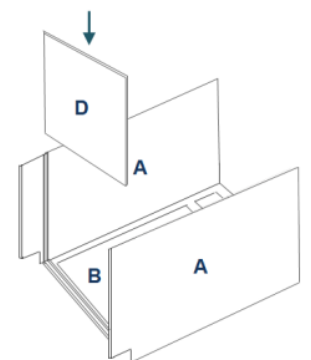


**For Product lines:**  
Ice White Shaker/Cambridge White Raised/Ashton Gray Shaker/Driftwood Gray Raised/Antique White

### Required Tools:



### Step-by-Step Instruction:

Step 1		Step 2	
<p>Lay B flat, grooves facing upword (on a soft flat working surface to avoid scratching the face)</p> <p>Insert both A to the grooves B</p>		<p>Slide D into grooves of A and B</p>	

# Assmby Instruction

## Sink Base – Single False Drawer Front



Step 3		Step 4	
<p>Slide C into grooves of A and D, and secure with Nail Gun (use metal clip if no nail gun)</p> <p>Secure with screws from the bottom of back panel (C)</p>		<p>Attach E onto A and secure with Nail Gun</p>	
Step 5		Step 6	
<p>Attach Drawer face (F) onto Face frame</p> <p>Attach Hinge (H) on the face frame, and then install door (G) onto hinge</p>		<p>Place Wooden support brackets (I) into corners of A, B, C</p>	