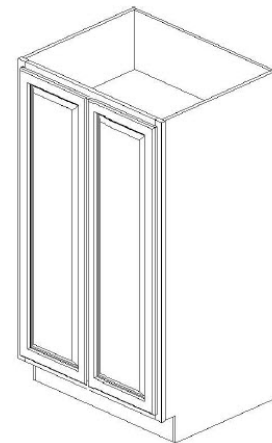


Assmby Instruction

Pantry Bottom – Double Door



Code	Description	Qty.
A	Side Panel (L/R)	2
B	Front Frame	1
C	Back Panel	1
D	Bottom/Top Panel	2
E	Toe Kick	1
F	Door	2
G	Shelf	2
H	Plastic Shelf Clips	8
I	Hinges	3

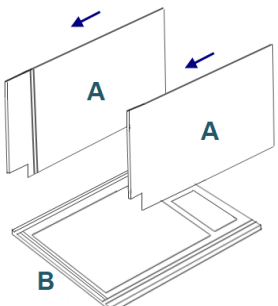
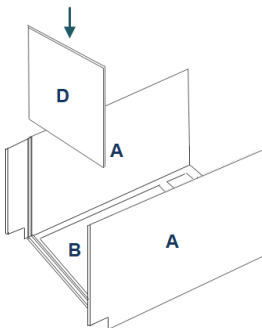


For Product lines:
Ice White Shaker/Cambridge White Raised/ Ashton Gray Shaker/Driftwood Gray Raised/Antique White

Required Tools:

<p>Nail Gun</p> 	<p>Power Drill</p> 
---	--

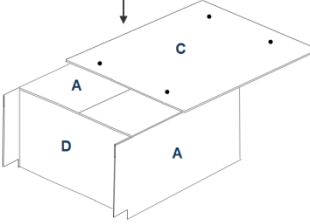
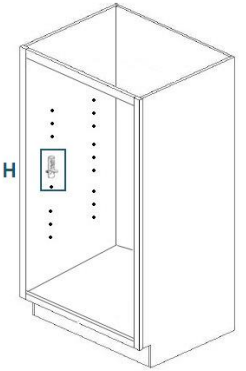
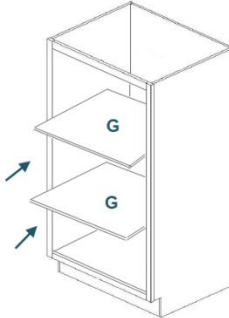
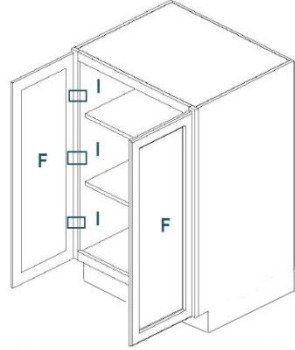
Step-by-Step Instruction:

Step 1		Step 2	
<p>Lay front frame (B) flat, grooves facing upword (on a soft flat working surface to avoid scratching the face)</p> <p>Slide both side panels (A) to the grooves</p>		<p>Slide bottom/Top panels (D) into grooves of A and B</p>	

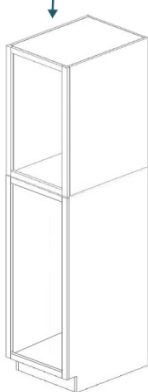
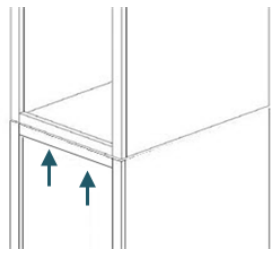
Assmly Instruction

Pantry Bottom – Double Door



<p>Step 3</p> <p>Slide back panel (C) into grooves of A and D and secure with Nail Gun (use metal clip if no nail gun)</p> <p>Secure with screws on uppern and bottom of back panel</p>		<p>Step 4</p> <p>Insert Plastic shelf clips (H) onto pre-drilled holds on Side panels A</p>	
<p>Step 5</p> <p>Slide in shelf (G) and make sure the finished front edge facing out</p>		<p>Step 6</p> <p>Attach Hinge (I) on the face frame, install door (F) onto hinge on both side</p> <p><i>*This step can be done after assembled pantry upper and bottom together*</i></p>	

Pantry Upper and Bottom assembly:

<p>Step 1</p> <p>Put Pantry upper on top of Pantry bottom and install both units to the wall.</p>		<p>Step 2</p> <p>Secure both units with Nail gun, nail from the Pantry bottom upper frame and goes upward.</p>	
--	---	---	---