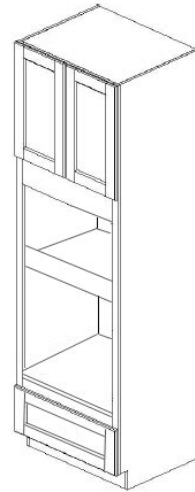


Assmby Instruction

Oven Cabinet



Code	Description	Qty.
A	Side Panel (L/R)	2
B	Front Frame	1
C	Back Panel	1
D	Bottom/Top Panel	2
E	Shelf	2
F	Toe Kick	1
G	Drawer Box (Side/bottom panels)	1 Set
H	Drawer Face	1
I	Door	2
J	Sliders & Adapter	2 pairs
K	Plastic Slider holder	2
L	Hinges	4

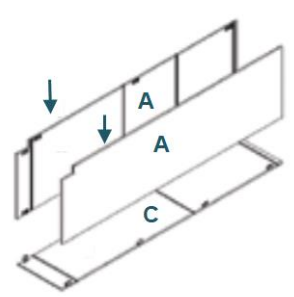
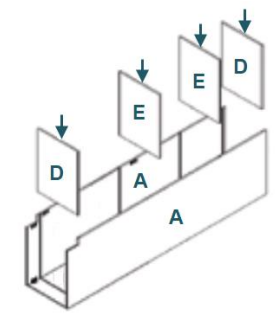


For Product lines:
 Modern Gray/Frenso Gray Shsker/Anaheim
 Gray/Beech Espresso/Cinnamon Shaker

Required Tools:

<p>Power Drill</p> 	<p>Rubber Hammer</p> 	<p>EASY ASSEMBLY METAL CLIP SYSTEM</p>  <ul style="list-style-type: none"> ➤ Align Clips ① and ② ➤ Slide ① into ② ➤ Insert locking screw into clip pair ➤ Tighten all screws
--	--	---

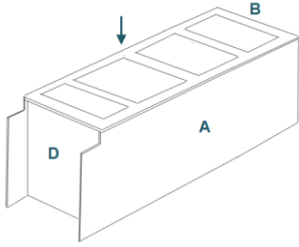
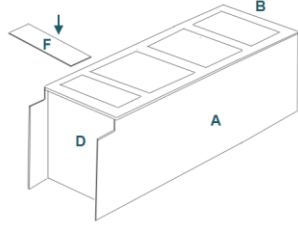
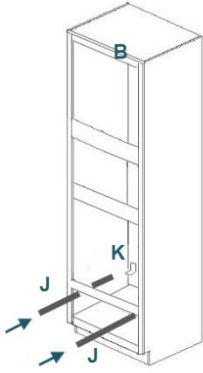
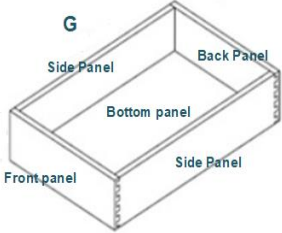
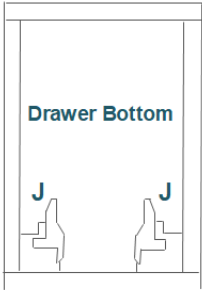
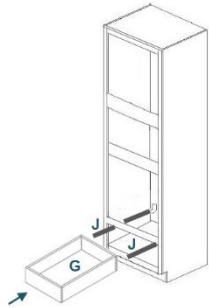
Step-by-Step Instruction:

Step 1		Step 2	
<p>Lay back panel (C) flat, grooves facing upword (on a soft flat working surface to avoid scratching the face)</p> <p>Insert side panels (A) into C by using Metal clips (Refer to Metal Clip system above)</p>		<p>Slide Bottom/Top Panel (D) and shelf (E) into grooves of A</p>	

Assmly Instruction

Oven Cabinet



<p>Step 3</p> <p>Attach Front Face (B) onto D and A by metal clips (Refer to metal clip system above)</p>		<p>Step 4</p> <p>Attach Toe kick (F) onto bottom front of (A) by metal clips (Refer to metal clip system above)</p>	
<p>Step 5</p> <p>Screw both rear slider holder brackets (K) into pre-drill holes in C, angle facing upward</p> <p>Install sliders (J) into K and screw into the side of B</p>		<p>Step 6</p> <p>Assemble the drawer box by using Rubber Hammer</p> <p><i>*Use wood glue for a permanent bond*</i></p> <p>(Beech espresso drawer box using screw assembly)</p>	
<p>Step 7</p> <p>Attach Plastic Adapter (J) underneath the drawer</p> <p>There will be a letter indicating L or R side</p>		<p>Step 8</p> <p>Position Drawer box G over drawer sliders J</p>	

Assmly Instruction

Oven Cabinet

Step 9	
<p>Attach Drawer face (H) onto drawer front</p> <p>Attach Hinge (L) on the face frame, install door (I) onto hinge</p>	