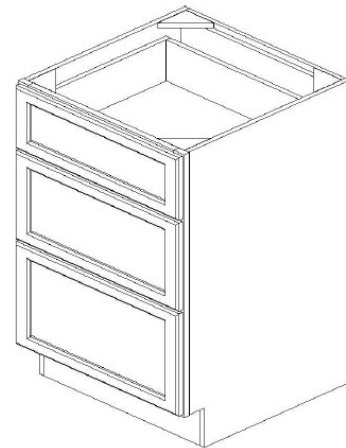


# Assmby Instruction

## Drawer Base



Code	Description	Qty.
A	Side Panel (L/R)	2
B	Face Frame	1
C	Back Panel	1
D	Bottom Panel	1
E	Toe Kick	1
F	Drawer Box (Side/bottom panels)	3 sets
G	Drawer Face	3
H	Sliders & Adapter	3 sets
I	Plastic Slider holder	6
J	Support Bracket (wooden)	4



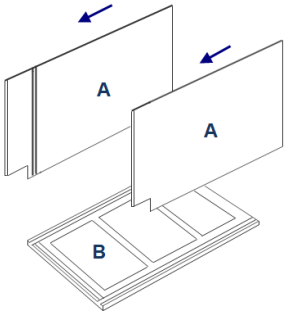
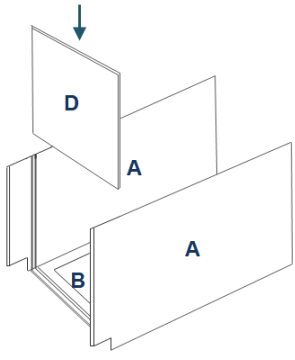
### For Product lines:

Ice White Shaker/Cambrdige White Raised/ Ashton Gray Shaker/Driftwood Gray Raised/Antique White

### Required Tools:

<p>Nail Gun</p> 	<p>Rubber Hammer</p> 	<p>Power Drill</p> 
-----------------------------------------------------------------------------------------------------	----------------------------------------------------------------------------------------------------------	----------------------------------------------------------------------------------------------------------

### Step-by-Step Instruction:

Step 1		Step 2	
<p>Lay B flat, grooves facing upward (on a soft flat working surface to avoid scratching the face)</p> <p>Insert both A pieces onto the grooves B</p>		<p>Slide D into grooves of A and B</p>	

# Assmby Instruction

## Drawer Base



<p><b>Step 3</b></p> <p>Slide C into grooves of A and D, and secure with Nail Gun (use metal clip if no nail gun)</p> <p>Secure with screws from the bottome of back panel (C)</p>		<p><b>Step 4</b></p> <p>Attach E onto A and secure with Nail Gun</p>	
<p><b>Step 5</b></p> <p>Screw both rear slider holder brackets (I) into pre-drill holes in C, angle facing upward</p> <p>Install sliders (K) into L and screw into the side of B</p>		<p><b>Step 6</b></p> <p>Assemble the drawer box by using Rubber Hammer</p> <p><i>*Use wood glue for a permanent bond*</i></p>	
<p><b>Step 7</b></p> <p>Attach plastic adapter underneath the drawer(s)</p> <p>There will be a letter indicating L or R side</p>		<p><b>Step 8</b></p> <p>Position Drawer box(s) F over drawer sliders K</p>	

# Assmby Instruction

## Drawer Base

### Step 9

Attach Drawer face (G) onto drawer front

Place Wooden support brackets (J) into corners of A, B, C

