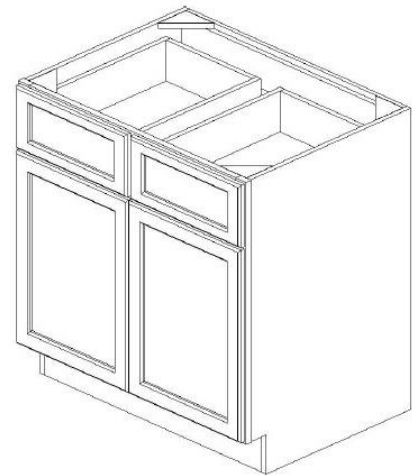


# Assmly Instruction

Base Cabinet – Double Doors & Drawers



Code	Description	Qty.
A	Side Panel (L/R)	2
B	Front Frame	1
C	Back Panel	1
D	Bottom Panel	1
E	Shelf	1
F	Toe Kick	1
G	Drawer Box (Side/bottom panels)	2 sets
H	Drawer Face	2
I	Door	4
J	Plastic Shelf Clips	4
K	Sliders & Adapter	4 pairs
L	Plastic Slider holder	4
M	Hinges	4
N	Support Bracket (wooden)	4

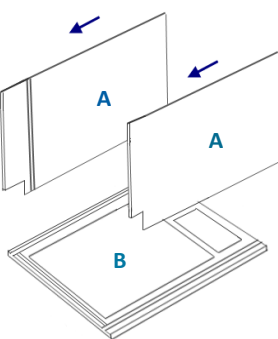
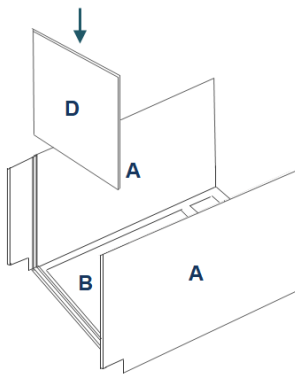


**For Product lines:**  
Ice White Shaker/Cambridge White Raised/ Ashton Gray Shaker/Driftwood Gray Raised/Antique White

## Required Tools:

<p>Nail Gun</p> 	<p>Rubber Hammer</p> 	<p>Power Drill</p> 
---	--	--

## Step-by-Step Instruction:

Step 1		Step 2	
<p>Lay front frame (B) flat, grooves facing upword (on a soft flat working surface to avoid scratching the face)</p> <p>Slide side panel (A) to the grooves</p>		<p>Slide bottom panel (D) into grooves of A and B</p>	

# Assmly Instruction

Base Cabinet – Double Doors & Drawers

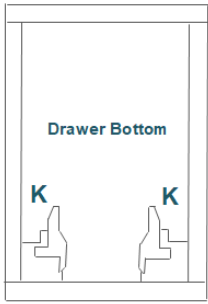
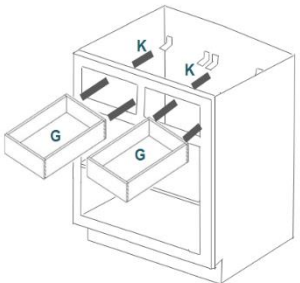
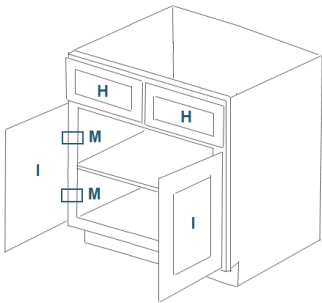


Step 3		Step 4	
<p>Slide back panel (C) into grooves of A and D and secure with Nail Gun (<i>use metal clip if no nail gun</i>)</p> <p>Secure with screws from the bottom of back panel (C)</p>		<p>Attach F onto A and secure with Nail Gun</p>	
Step 5		Step 6	
<p>Insert Plastic shelf clips (J) onto pre-drilled holds on A</p>		<p>Slide in shelf (E) and make sure the finished front edge facing out</p>	
Step 7		Step 8	
<p>Screw both rear slider holder brackets (L) into pre-drill holes in C, angle facing upward</p> <p>Install sliders (K) into L and screw into the side of B</p>		<p>Assemble both drawer boxes by using Rubber Hammer</p> <p><i>*Use wood glue for a permanent bond*</i></p>	

# Assmby Instruction

Base Cabinet – Double Doors & Drawers



Step 9		Step 10	
<p>Attach plastic adapter underneath the drawers</p> <p>There will be a letter indicating L or R side</p>	 <p>Drawer Bottom</p>	<p>Position Drawer boxes G over drawer sliders K</p>	
<p>Attach both Drawer faces (H) onto drawer front</p> <p>Attach Hinge (M) on the face frame, install doors (I) onto hinge on both side</p>		<p>Place Wooden support brackets (N) into corners of A, B, C</p>	